

# DIRECT-AIRE PNEUMATIC PRESS SERIES

## MODEL 400

1200 lbs Force @ 100PSI

- **ECONOMICAL**
- **COMPACT**
- **TROUBLE FREE**
- **ACCURATE**
- **ADAPTABLE**

### SPECIFICATIONS

- Stroke 4.5"
- Open Height 8"
- Throat Depth 4.25"
- Heavy Duty design with 6"x8" platen
- Throughspace 6"  
(for flexible working area)



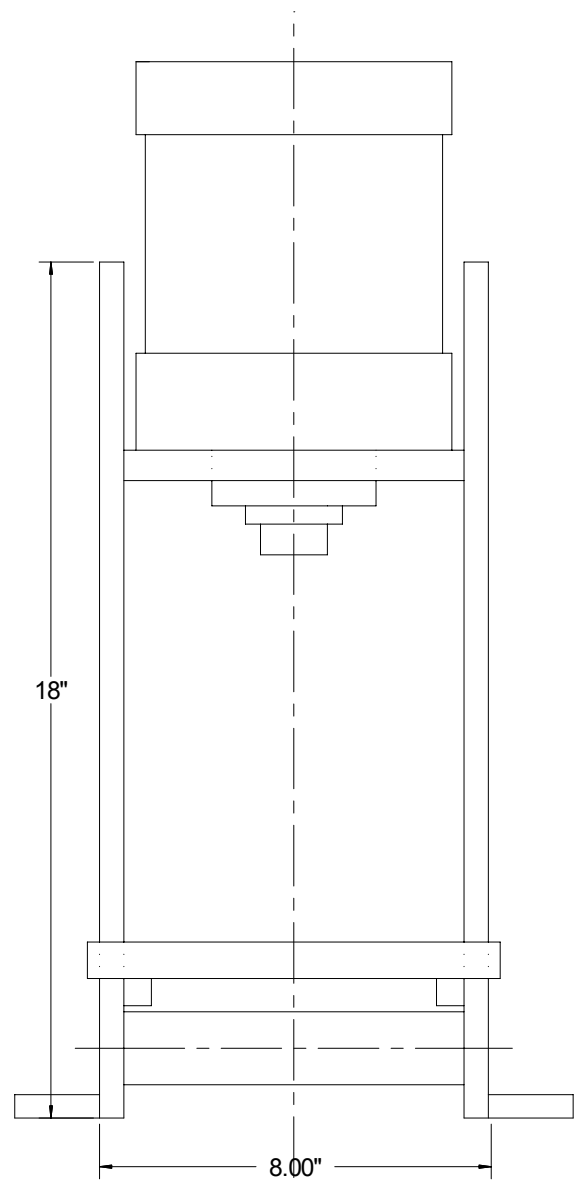
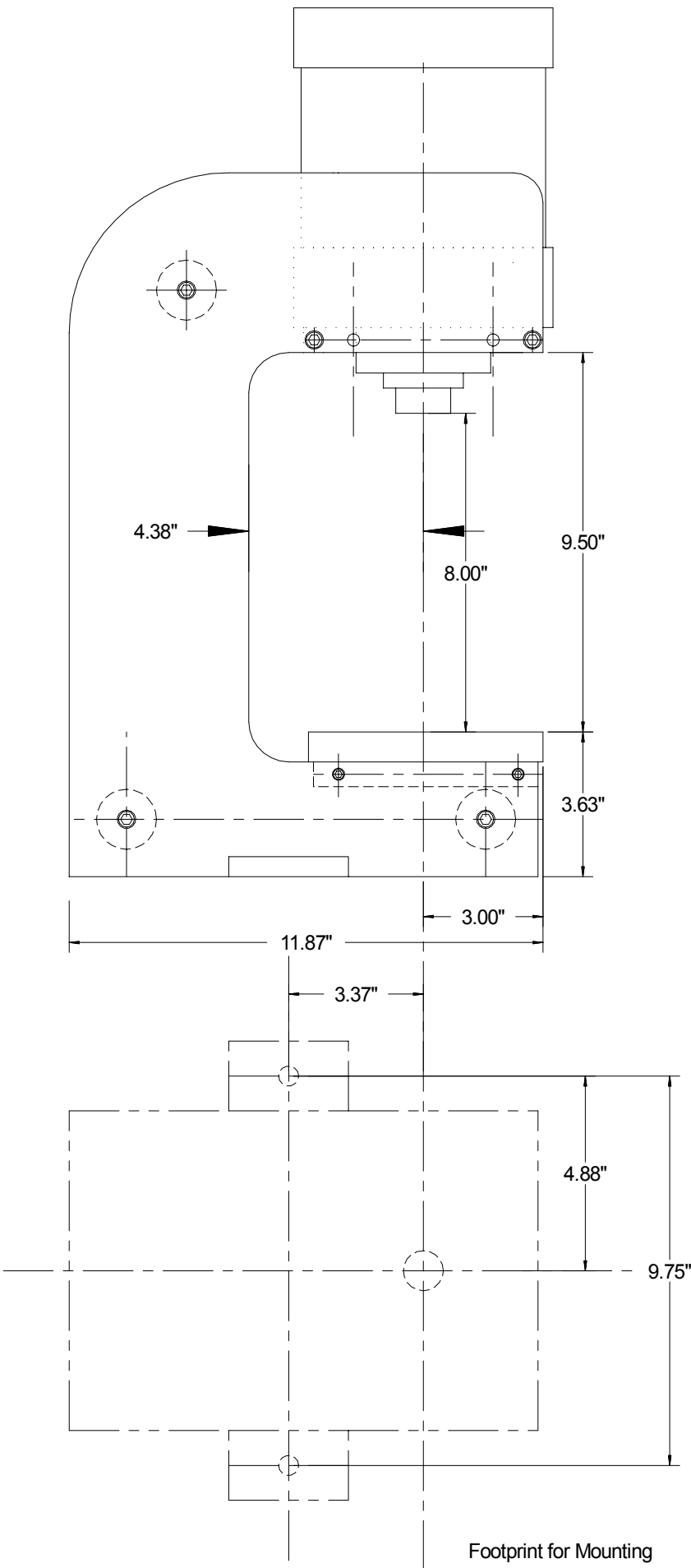
Model 400 shown above. Custom tooling not included with standard model.

**Call TODAY for a Quote!**

**1-888-889-4287**

or email [sales@joraco.com](mailto:sales@joraco.com)

**AIM JORACO**



# Direct-Aire

Straight Cylinder Press  
 Model 300 Series  
 Model 400 series

Footprint for Mounting